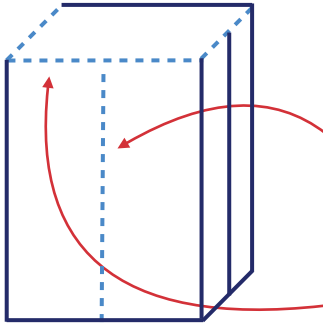




Hero Cape!

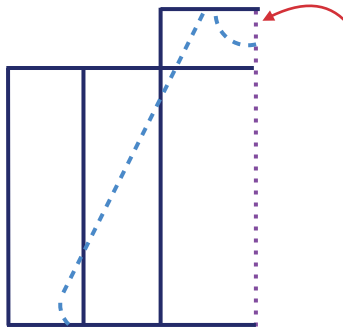
PAPER GROCERY BAG CAPE



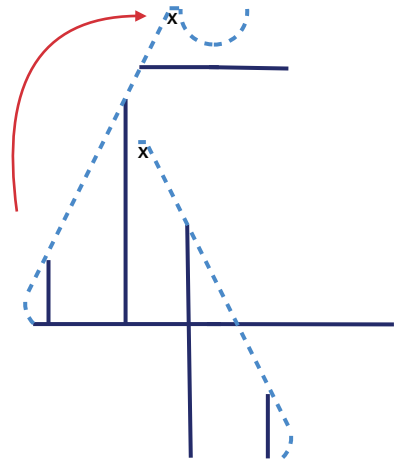
- Remove handles from a grocery bag, being careful not to rip the bag. If the handles are made of paper, they can be used later for the tie.
- Open bag and turn upside down. Cut from the center of one of the wide sides at the opening all the way down to the bottom of the bag.
- Cut around the bottom of the bag so that it is still attached along the edge of the opposite wide side of the bag.

YOU WILL NEED:

- Paper Grocery Bag
- 9" Plate
- Markers
- Scissors
- Tape or glue
- Straight Edge
- Optional Items for Decorating (Paint, Crayons, Glitter, etc.)



- Fold in half using the smaller piece as a guide.
- Use a plate to trace neck opening on the fold at the top on the smaller piece.
- Measure out one to two inches from neck opening and draw a diagonal line down to the bottom edge of the bag.
- Unfold and attach strips of grocery bag paper to the one-inch pieces on either side of the neck opening and use tape to secure the ties together. They are marked with an "x." You can also use the handle you took off earlier.
- Decorate your cape to make it your own!



KEY:

natural fold line ———

(re) fold line - - - - -

cut line - - - - -

Find more games and activities at pbskids.org/heroelementary

